

How to use this file...(Installation Instruction Sheets)

Instructions for **Print Vendors (Paper Manuals)**

- Paper:**
- * Finish Size is 8-1/2 x 11
 - * Body—50 lbs brilliant white offset or equivalent.
- Press:**
- * Body—1-color, 2-sided
- Bindery:**
- * If document is 1 or 2 pages, run as 8-1/2 x 11 sheets.
 - * If document is 3 or 4 pages, and **can be run as 2 sided 11 x 17** -- then fold to 8-12 - 11.
 - * If document is MORE than 4 pages, run as 8-1/2 x 11 sheets with UL Corner Stitch.
- COVERS:**
- * This document is a self-covered piece.
 - Check the last page of the document for the individual document number (a TP 200-XXXX-XX-XX-SMA number).
- BODY:**
- * REMEMBER: ODD number pages are ALWAYS right hand pages, and EVEN number are ALWAYS left hand pages.
- General:**
- * **This instruction page is NOT part of the document and must NOT be printed.**
 - Pages labeled with the text "THIS PAGE INTENTIONALLY BLANK" are placement pages ONLY, and should NOT be printed.
-

THIS PAGE INTENTIONALLY BLANK

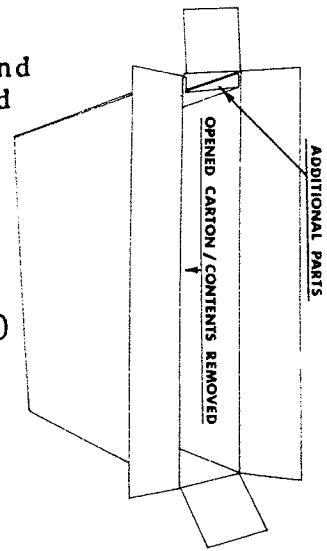
CAB MODEL 1667343

1690496

For Simplicity 7100 Series with hand lift or power lift.

CARTON CONTENTS

KEY NO.	QUAN.	PART NO.	PART NAME
1	1	8124	Foot, right hand
2	1	8125	Foot, left hand
3	1	8126	Foot Pocket Guard, right hand
4	1	8127	Foot Pocket Guard, left hand
5	1	8128	Front Panel Frame
6	2	2506	Front Post, R & L
7	1	5630	Top Brace, right hand
8	1	5631	Top Brace, left hand
9	1	5632	Top Frame
10	1	6548	Rear Post, right hand
11	1	6549	Rear Post, left hand
12	1	8129	Attaching Bracket, rear right hand
13	1	8130	Attaching Bracket, rear left hand
14	1	8131-0	Front Panel Vinyl
15	1	7461-0	Windshield
16	1	8140-0	Door, right hand
17	1	8141-0	Door, left hand
18	1	7465-0	Rear Curtain
19	1	6205	Fiberglass Top
	1	8132	Parts Bag (Contents listed below)
20	24	730	1/4"-20 Locknut
21	4	15	Door Hinge
22	20	788	1/4"-20 x 3/4" Capscrew, hex
23	3	784	5/16"-18 x 3/4" Capscrew, hex
24	3	729	5/16"-18 Locknut
25	2	926	1/4"-20 x 1" Capscrew, hex
26	8	3951	1/4" Flat Washer
27	2	6107	1/4"-20 x 2 1/4" Capscrew, hex
28	4	2	1/4" Split Lockwasher
29	2	3511	1/4"-20 Wingnut
30	2	7781	Door Latch Spring



CAB MODEL 1667343

IDENTIFY PARTS

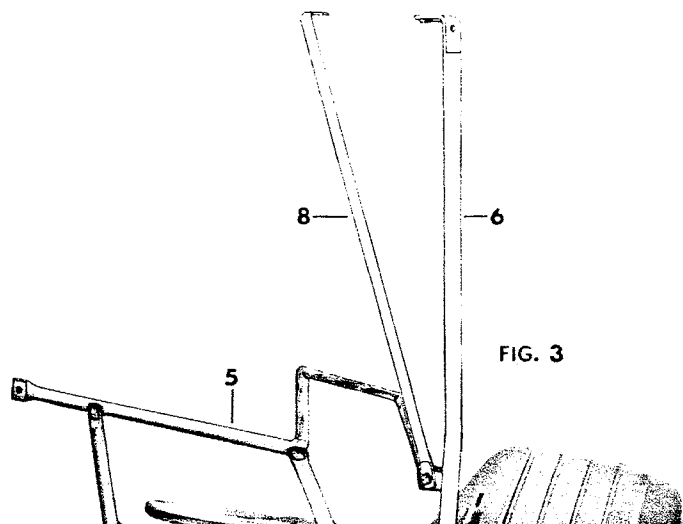
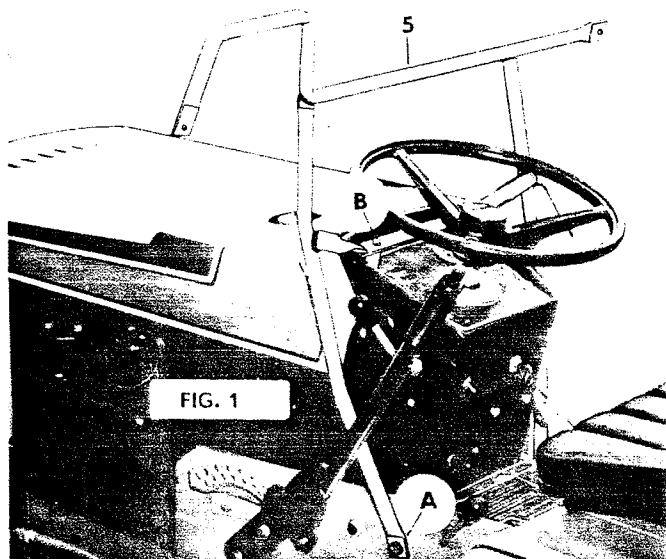
This cab is manufactured and warranted by ORIGINAL TRACTOR CAB CO., INC. and not SIMPLICITY MFG. CO. All inquiries should be directed to your servicing dealer or to the manufacturer at the following address:

Unpack the entire contents of the carton and organize the parts. Most of the hardware used to assemble the cab is 1/4"-20 x 3/4" bolts and 1/4"-20 nuts. Use these fasteners whenever hardware is not specified in the assembly instructions.

ORIGINAL TRACTOR CAB CO. INC.

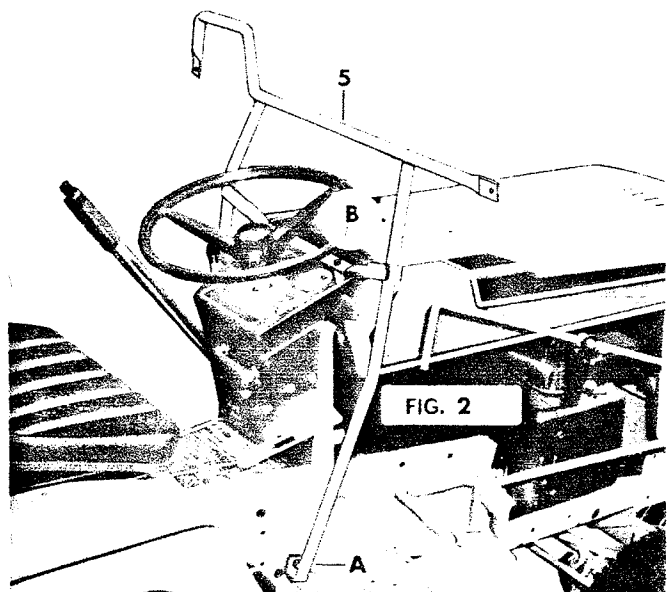
P. O. BOX 97 • ARLINGTON, INDIANA 46104
 AREA CODE (317) PHONE 663-2214

ASSEMBLY INFORMATION



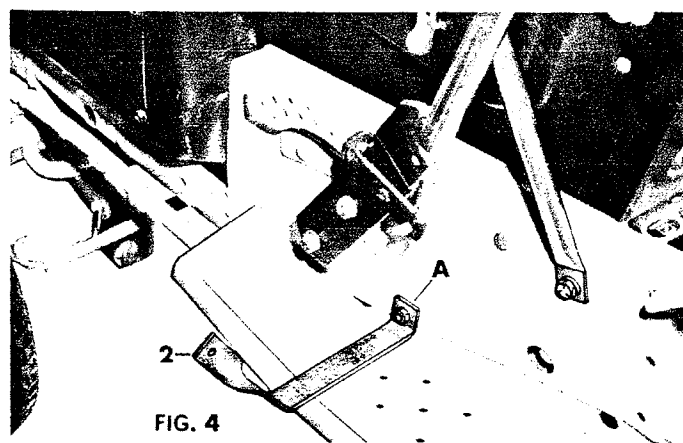
STEP 2, See Figure 3:

Insert a 1/4" x 1" bolt thru lower end of TOP BRACE (8), then thru clip welded to LEFT CORNER POST (6), then thru end of FRONT PANEL FRAME (5). Add a nut and tighten. Right and left TOP BRACES must have bent upper end pointing toward rear of tractor, and be in plane with bent top of FRONT CORNER POSTS (6).



STEP 1, See Figures 1 & 2:

1. Remove tractor bolts indicated at "A" and "B".
2. Position FRONT PANEL FRAME (5) and use 1/4" x 2 1/4" bolts from parts bag to attach to the instrument panel. Use a 5/16" x 3/4" bolt and 5/16" locknut from parts bag to attach lower end of left hand leg (Figure 1) to tractor. Re-use the bolt removed from right side (Figure 2) at "A" to attach the right leg. Securely tighten all four bolts. Save the three bolts removed from tractor for re-use upon cab removal.



STEP 3, See Figure 4:

Remove bolt indicated at "A". Save it for re-use upon cab removal. Use 5/16" x 3/4" bolt and 5/16" locknut from parts bag to attach FOOT (2).

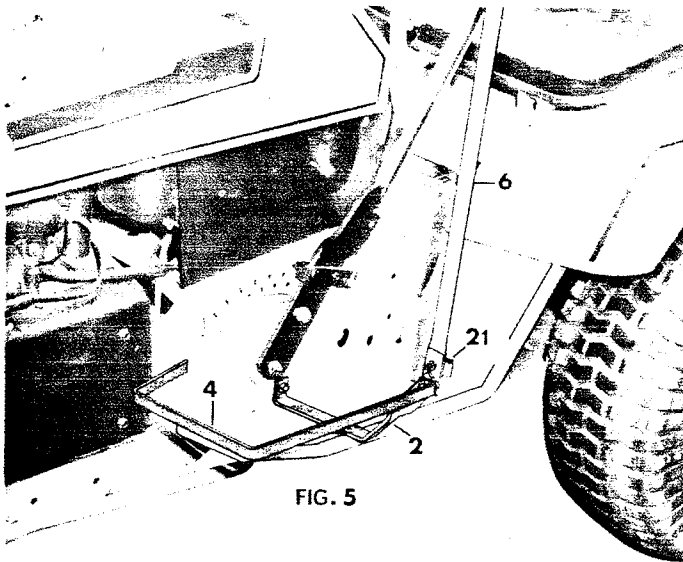


FIG. 5

STEP 4, See Figure 5:

Secure a DOOR HINGE (21) to the rear side of the LEFT CORNER POST (6) at the upper hole position with a bolt and nut. Attach the LEFT FOOT (2) and FOOT GUARD (4) at the lower hole position on the LEFT CORNER POST (6). Insert a bolt from the rear thru the POST, thru the FOOT, and then the FOOT GUARD. Add a nut and tighten so FOOT GUARD is level cross-wise of the tractor.

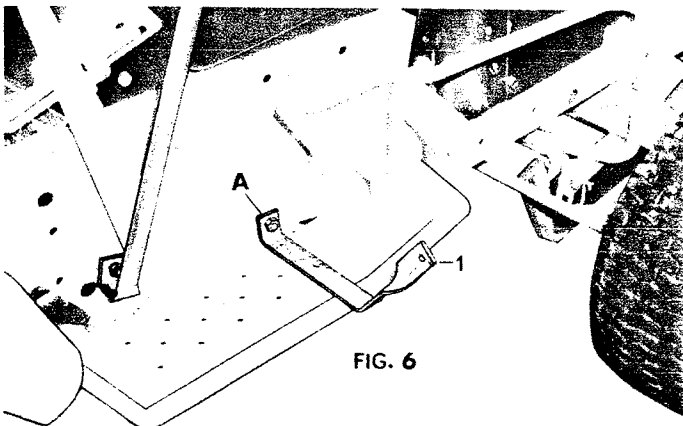


FIG. 6

STEP 5, See Figure 6:

Remove bolt indicated at "A" and discard it. Use 5/16" x 3/4" bolt and 5/16" locknut from parts bag to attach FOOT (1).

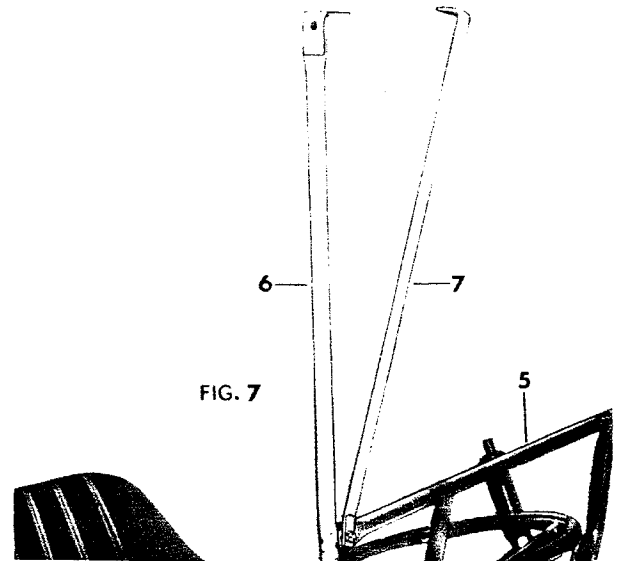


FIG. 7

STEP 6, See Figure 7:

Insert a 1/4" x 1" bolt thru lower end of TOP BRACE (7), then thru clip welded to RIGHT CORNER POST (6), then thru end of FRONT PANEL FRAME (5). Add a nut and tighten.

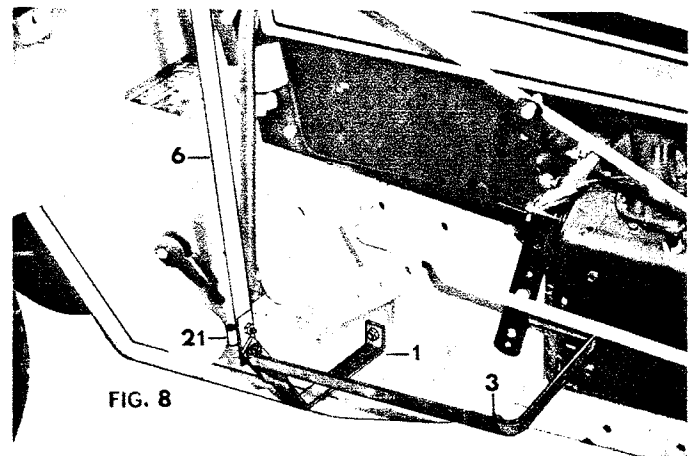
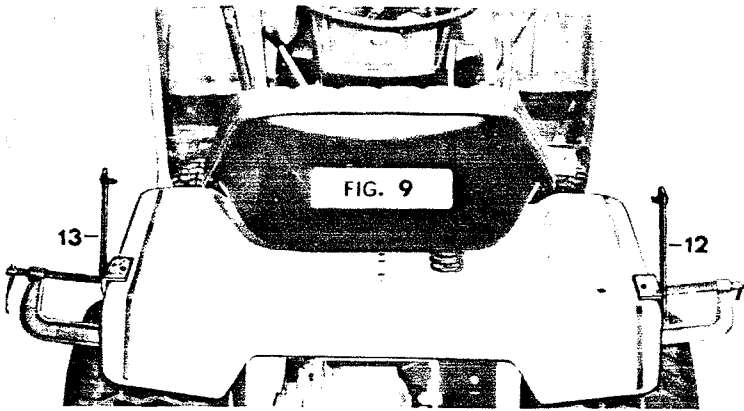


FIG. 8

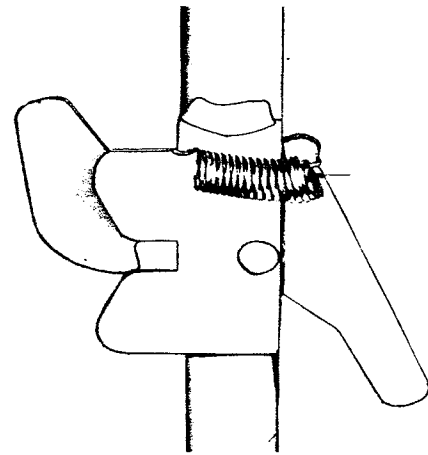
STEP 7, See Figure 8:

Secure a DOOR HINGE (21) to the rear side of the RIGHT CORNER POST (6) at the upper hole position with a bolt and nut. Attach the RIGHT FOOT (1) and FOOT GUARD (3) at the lower hole position on the RIGHT CORNER POST (6). Insert a bolt from the rear thru the CORNER POST, thru the FOOT, and then the FOOT GUARD. Add a nut and tighten so FOOT GUARD is level cross-wise of the tractor.



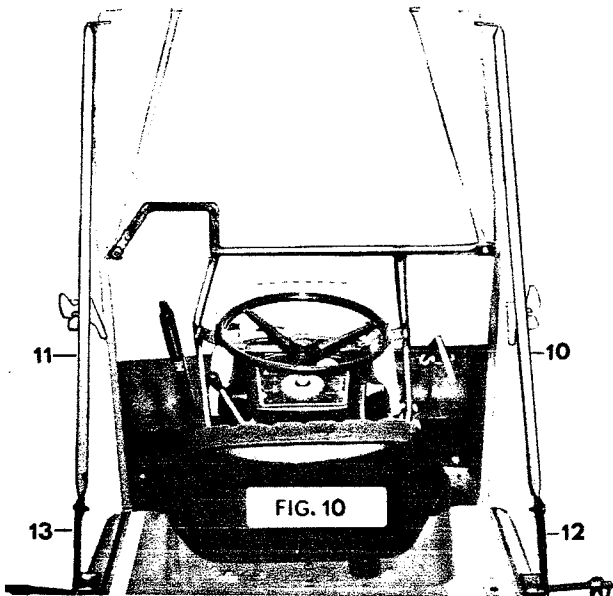
STEP 8, See Figure 9:

Use "C" clamps to temporarily hold REAR BRACKETS to the seat deck. The BRACKETS are made in "right" and "left" hand, which may be determined by installing so the vertical pieces are closer to rear of tractor. DO NOT DRILL HOLES FOR MOUNTING THESE BRACKETS YET.



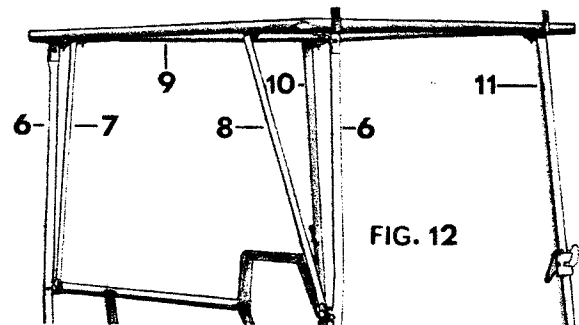
STEP 10, See Figure 11:

Attach a SPRING to each door lock, as shown. Springs are in parts bag.



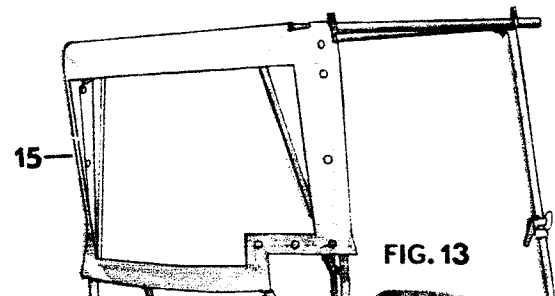
STEP 9, See Figure 10:

Use 1/4" WINGNUTS and LOCKWASHERS to secure REAR CORNER POSTS to the REAR BRACKETS. Notice that the door locks welded to the REAR POSTS are toward front of tractor, while bent upper ends of POSTS point toward each other. Tighten NUTS so POSTS lean slightly forward.



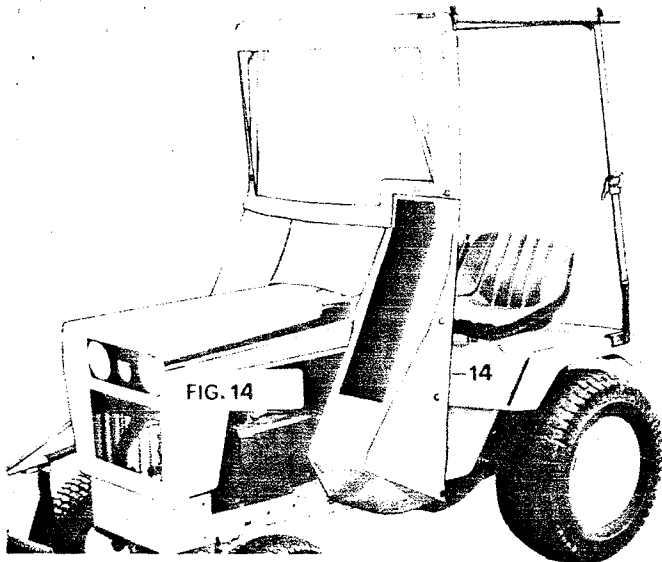
STEP 11, See Figure 12:

Install the TOP FRAME (9) and secure it with six bolts and nuts.

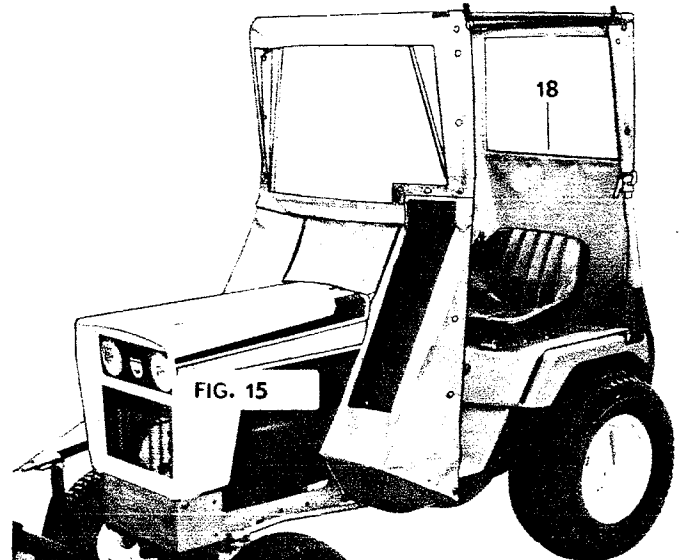


STEP 12, See Figure 13:

Snap the top corners of the windshield to the TOP FRAME; do not secure other snaps.

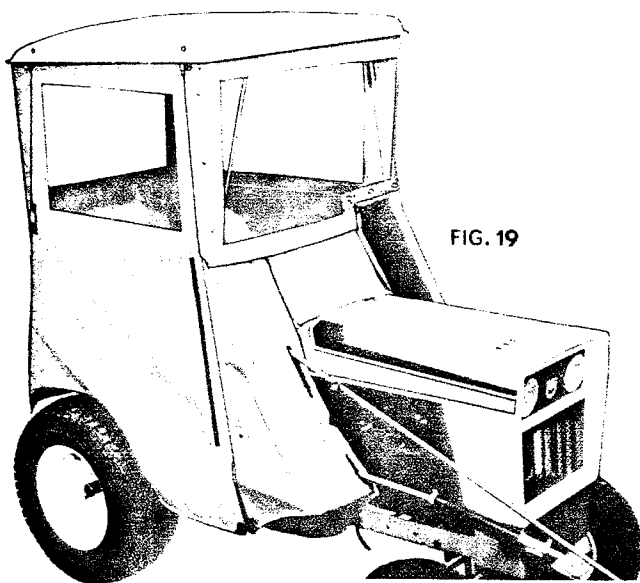


2. If your tractor has a blower or blade, it will be necessary to disconnect lift arm connecting link before installing vinyl. Snow blade control rod must be disconnected from the stand-off bracket before installing the vinyl and then re-connected to the stand-off bracket in the fashion shown in Fig. 19.



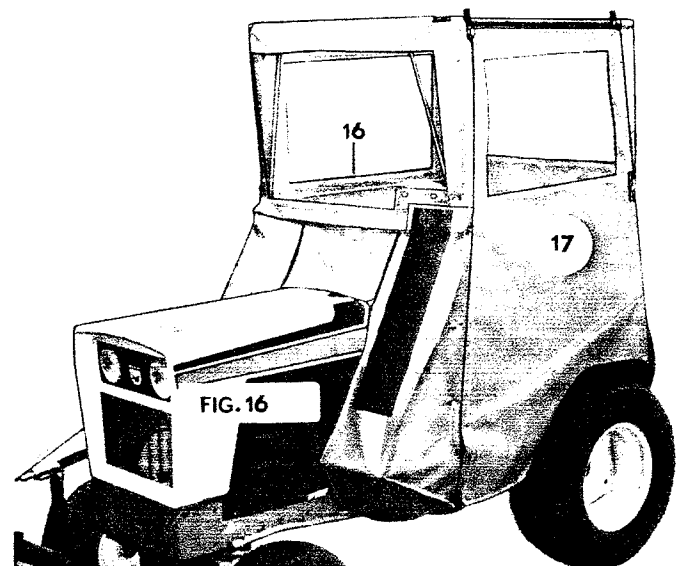
STEP 14, See Figure 15:

Snap REAR CURTAIN into position around the TOP FRAME and REAR CORNER POSTS.



STEP 13, See Figures 14 & 19:

1. Zipper and snap the FRONT PANEL VINYL (14) to the bottom of the WINDSHIELD and fit the vinyl around FOOT GUARDS. Snap the WINDSHIELD and FRONT PANEL VINYL around FRONT CORNER POSTS. Complete fastening FRONT PANEL VINYL to the cab frame and tractor, using the tie straps. The strap with the spring attached should be routed underneath the tractor and hooked to the strap with the D-ring on the opposite side of cab. Position the strap away from moving parts. Adjust tension so spring is stretched slightly.



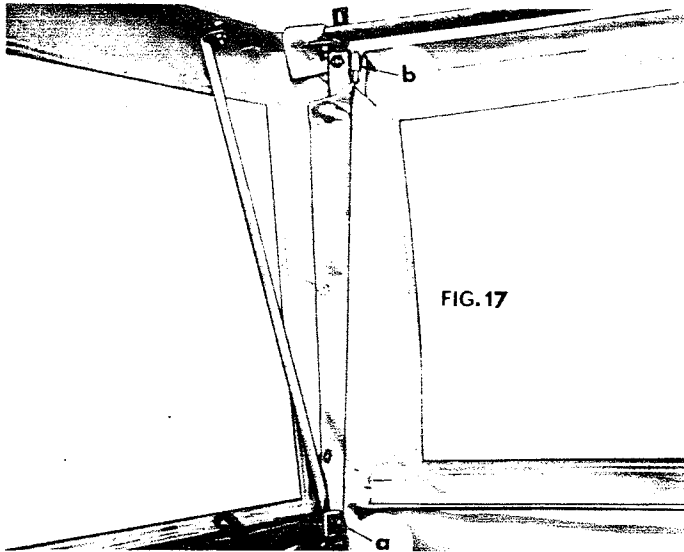


FIG. 17

STEP 15, See Figures 16 & 17:

1. Attach a DOOR to each FRONT POST by first inserting the rod on the DOOR into the bottom HINGE. Secure the middle door HINGE to the bolt at the outside end of the FRONT PANEL FRAME with a nut. Slide the top HINGE over the rod on the door and secure with a bolt and nut (b, Fig. 17).
2. With the DOORS latched, adjust the REAR ATTACHING BRACKETS forward or rearward until the doors are aligned and engaged properly with the door latches. Clamp each REAR BRACKET to hold it in position and drill two 9/32" holes thru the seat deck for each bracket, using the brackets as templates. Secure the BRACKETS to the seat deck with four bolts, nuts, and flat washers under the seat deck.

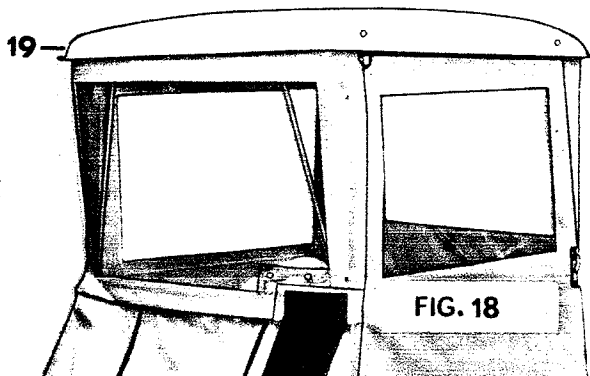


FIG. 18

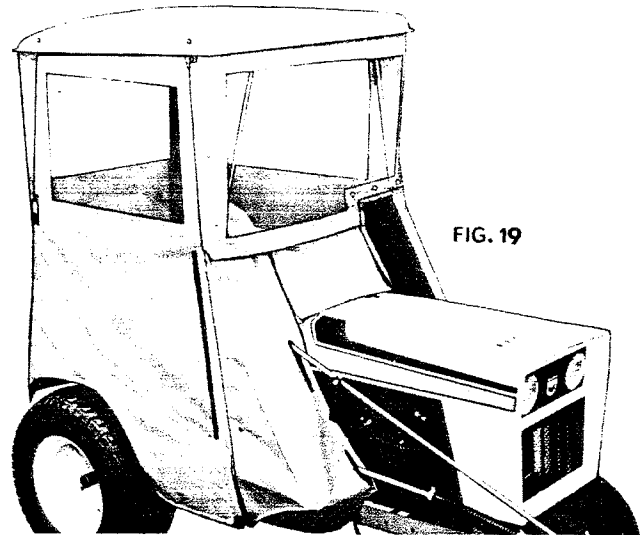


FIG. 19

STEP 16, See Figures 18 & 19:

Place the sewn-in rods on the WINDSHIELD and REAR CURTAIN over the TOP FRAME, then install the fiberglass TOP so that the rods will be held in position by the TOP. Attach the TOP to the TOP FRAME with four bolts, 1/4" washers, and nuts. The bolts are inserted from the outside, with the flat washers under the bolt heads.

STEP 17:

Tie together the tie-strings found on the lower portion of each door and the lower front panel vinyl.

OPERATION

The cab is provided with openings to allow operation of snowthrower or snow blade controls. The front panel vinyl has a small opening for the snow blade control shaft; the right door vinyl has a zipper for access to the snowthrower directional chute control shaft. Use care when fitting the controls so that the cab does not interfere with the proper operation. The lower front panel is equipped with zippers to permit opening the tractor's hood for maintenance.

C A U T I O N :

This cab is designed to provide foul weather protection only. Do not expect protection from noise, engine exhaust fumes, chemicals, or injury caused by collision, roll-over, or other accidents. Do not operate the tractor in confined areas without proper ventilation.

During use, keep in mind that the cab will restrict your field of vision when compared to operation without it. Remember that the cab adds height to the tractor. Low tree limbs, clothes lines, etc. that did not interfere with tractor operation during the summer may now become obstacles. Thoroughly check the area of operation before using the tractor.

M A I N T E N A N C E A N D S T O R A G E :

The door hinges and latches should be lubricated with light machine oil. Keep the windows clean by washing with generous amounts of water and bare hands, only. DO NOT CLEAN THE PLASTIC WINDOW MATERIAL WHEN DRY OR SCRATCHES WILL RESULT. During freezing weather, an automotive windshield washer solvent may be used to clean the windows.

Before storing the cab, clean the windows and vinyl panels with a mild automotive detergent and water. Allow to thoroughly dry. Store the cab in a clean, cool, dry place, out of direct sunlight. Avoid folding the plastic windows.

W A R R A N T Y - I N F O R M A T I O N :

(See next page.)

LIMITED WARRANTY

TRACTOR AND SNOW REMOVAL EQUIPMENT CABS

COVERED BY WARRANTY

ORIGINAL TRACTOR CAB CO., INC., (the "Company") warrants to the owner that each new product listed below is merchantable and free of defects in workmanship and material.

During the warranty period, the dealer from whom the product was bought, or the Company, will provide, free of charge, parts and the shipping costs of parts necessary to correct any defect in workmanship and material.

WARRANTY PERIOD

The Company products listed below are warranted for the stated period from the date of the original purchase:

- | | |
|--|---------|
| 1. Cabs for tractors and snow removal equipment | 90 days |
| 2. Company manufactured accessories for above cabs | 90 days |
| 3. Repair parts | 90 days |

OWNER'S RESPONSIBILITIES

The owner of a new Company manufactured product must do the following to qualify for warranty service:

1. Retain the original invoice or other proof of purchase to avoid unnecessary difficulties in determining eligibility for warranty work.
2. Notify the dealer from whom the product was bought, or the Company, as soon as possible after discovery of a possible defect, and provide proof of original purchase. To notify the Company, write to: Original Tractor Cab Co., Inc. P.O. Box 97, Arlington, Indiana 46104.
3. The owner may, upon notification by the Company, be required to return the defective part, or parts, to the Company for inspection and warranty service.

NOT COVERED BY WARRANTY

The following are not covered by this warranty:

1. Transportation charges to and from servicing dealer or the Company;
2. New products which have been subject to misuse, negligence or accident, or have been altered or repaired in a manner not authorized by Company;
3. Windshield wipers, lights, or accessories that are warranted separately by their respective manufacturers, except Company agrees to make available to the owner whatever warranty benefits may be made available to the Company by the manufacturers.

ALL IMPLIED WARRANTIES, EXCEPT TO THE EXTENT PROHIBITED BY ANY APPLICABLE LAW, SHALL HAVE NO GREATER DURATION THAN THE WARRANTY PERIOD FOR THE APPLICABLE PRODUCT. SOME STATES DO NOT ALLOW LIMITATIONS ON HOW LONG AN IMPLIED WARRANTY LASTS, SO THE ABOVE LIMITATION MAY NOT APPLY TO YOU.

THE COMPANY'S LIABILITY ARISING OUT OF WARRANTIES REPRESENTATIONS, INSTRUCTIONS, OR DEFECTS FROM ANY CAUSE, SHALL BE LIMITED EXCLUSIVELY TO REPAIR OR REPLACING PARTS UNDER THE CONDITION IN THIS WARRANTY, AND IN NO EVENT WILL COMPANY BE LIABLE FOR INCIDENTAL OR CONSEQUENTIAL DAMAGES. SOME STATES DO NOT ALLOW THE EXCLUSION OR LIMITATION OF INCIDENTAL OR CONSEQUENTIAL DAMAGES, SO THE ABOVE LIMITATION OR EXCLUSION MAY NOT APPLY TO YOU.

THIS WARRANTY GIVES YOU SPECIFIC LEGAL RIGHTS, AND YOU MAY ALSO HAVE OTHER RIGHTS WHICH VARY FROM STATE TO STATE.